

Halogen lamps

Low-voltage aluminium reflector ALUline Pro 37 mm and 56 mm



Aluminium reflector lamps consisting of a low-voltage halogen burner optically positioned in a lightweight, highly glossy anodised aluminium reflector with an integral protective front glass. The range has a clear or frosted front glass. Aluminium reflector lamps are high-intensity, safe light sources for use in all kinds of accent and decorative lighting without the need for an external reflector. The optical positioning of the burner at the focal point of the reflector results in a high-intensity beam with a clearly defined beam spread.

Like all halogen lamps, they emit a continuous spectrum of crisp white light, are dimmable and offer immediate ignition. Universal burning position.

Applications

- Spot lighting of merchandise, display lighting in shops, museums and exhibitions.
- Accent lighting in the home, restaurants, bars, discoteques and night clubs.
- Task lighting for precision work and for reading.

56 mm CL



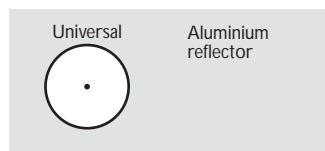
56 mm FR



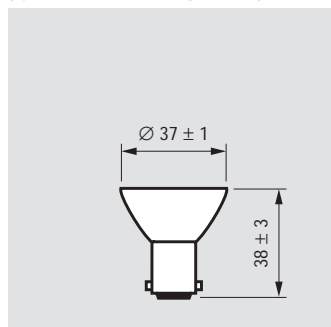
37 mm CL



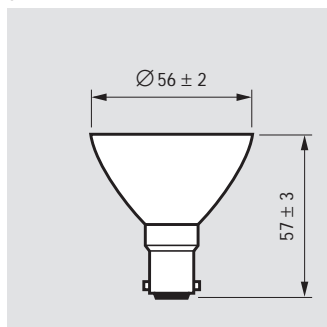
37 mm FR



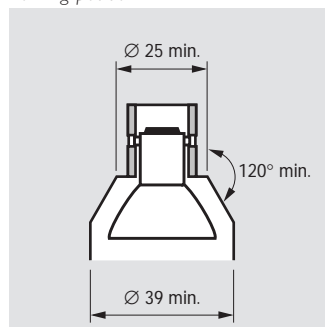
Burning position



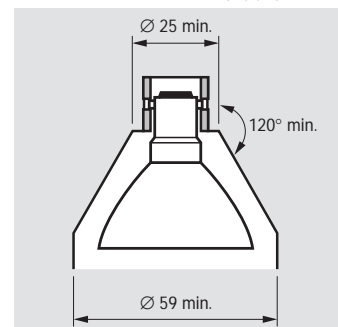
37 mm BA15d/19



56 mm B15d/24x17



37 mm



56 mm

Dimensions in mm

Mounting drawings

Commercial name	Type	Voltage	Wattage	Beam angle	Cap/base	Finish	ANSI	Max. luminous intensity cd	Correlated colour temperature K	Lamp life 50% h	EOC
		V	W								
37MM CLEAR											
ALUline Pro	6424	6	15	6°	BA15D/19	CLEAR	GBA	5200	3000	2000	401915
ALUline Pro	6433	12	20	6°	BA15D/19	CLEAR	GBD	6400	3000	2000	401946
ALUline Pro	6434	12	20	18°	BA15D/19	CLEAR	GBE	1500	3000	2000	401953
ALUline Pro	6435	12	20	32°	BA15D/19	CLEAR	GBF	750	3000	2000	401960
37MM FROSTED											
ALUline Pro	6434/FR	12	20	18°	BA15D/19	FROSTED	GBE	1000	3000	2000	409379
ALUline Pro	6435/FR	12	20	34°	BA15D/19	FROSTED	GBF	350	3000	2000	409355
56MM CLEAR											
ALUline Pro	6425	6	15	4°	B15D/24X17	CLEAR	GBB	11000	3000	2000	401922
ALUline Pro	6426	6	15	14°	B15D/24X17	CLEAR	GBC	1900	3000	2000	401939
ALUline Pro	6429	6	35	6°	B15D/24X17	CLEAR	GBG	18000	3000	2000	401977
ALUline Pro	6430	6	35	14°	B15D/24X17	CLEAR	GBH	4400	3000	2000	401984
ALUline Pro	6438	12	50	10°	B15D/24X17	CLEAR	GBJ	12000	3000	2000	402004
ALUline Pro	6439	12	50	25°	B15D/24X17	CLEAR	GBK	2500	3000	2000	402011
56MM FROSTED											
ALUline Pro	6439/FR	12	50	22°	B15D/24X17	FROSTED	GBK	2000	3000	2000	409348

Halogen lamps

Low-voltage aluminium reflector ALUline Pro 37 mm and 56 mm

6424

6V/15W
BA15d/19
Ø 38mm - 6°

m	Lux	Ømm
1	6200	300
2	1550	600
3	688	900
4	440	1200

6433

12V/20W
BA15d/19
Ø 38mm - 6°

m	Lux	Ømm
1	7000	105
2	1750	210
3	780	315
4	440	420

6434

12V/20W
BA15d/19
Ø 38mm - 18°

m	Lux	Ømm
1	1500	317
2	375	634
3	167	950
4	94	1267

6435

12V/20W
BA15d/19
Ø 38mm - 32°

m	Lux	Ømm
1	750	573
2	188	1147
3	83	1720
4	47	2294

6434 Frosted

12V/20W
BA15d/19
Ø 38mm - 18°

m	Lux	Ømm
1	1000	327
2	250	640
3	110	950
4	60	1280

6435 Frosted

12V/20W
BA15d/19
Ø 38mm - 32°

m	Lux	Ømm
1	750	573
2	188	1147
3	83	1720
4	47	2294

6425

6V/15W
B15d/24x17
Ø 58mm - 4°

m	Lux	Ømm
1	12000	160
2	3000	320
3	1333	480
4	833	640

6426

6V/15W
B15d/24x17
Ø 58mm - 14°

m	Lux	Ømm
1	1400	420
2	350	840
3	155	1260
4	97	1680

6429

6V/35W
B15d/24x17
Ø 58mm - 6°

m	Lux	Ømm
1	18000	105
2	4500	210
3	2000	315
4	1125	420

6430

6V/35W
B15d/24x17
Ø 58mm - 14°

m	Lux	Ømm
1	4000	246
2	1000	491
3	445	737
4	250	982

6438

12V/50W
B15d/24x17
Ø 58mm - 10°

m	Lux	Ømm
1	13000	175
2	3250	350
3	1445	525
4	810	700

6439

12V/50W
B15d/24x17
Ø 58mm - 25°

m	Lux	Ømm
1	2300	443
2	575	887
3	255	1330
4	145	1774

6439 Frosted

12V/50W
B15d/24x17
Ø 58mm - 25°

m	Lux	Ømm
1	1900	443
2	475	887
3	210	1330
4	120	1774

Visual beams

